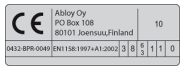
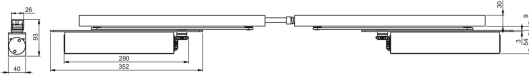


ASSA ABLOY DC860 with G881



- Concealed door closer with Cam-Motion® technology and guide rail with integrated mechanical coordinator for double leaf doors
- Guide rail is certified in compliance with EN 1158, size 3-6
- Closer is certified in compliance with EN1154, size 1-5
- Fulfils barrier-free building requirements (DDA / CEN TR 15894)
- For double leaf fire doors, hinge distance 1350 - 2500 mm

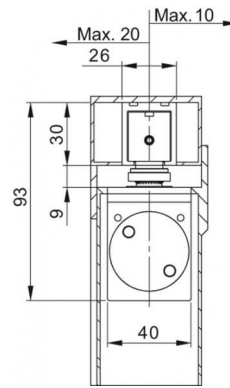
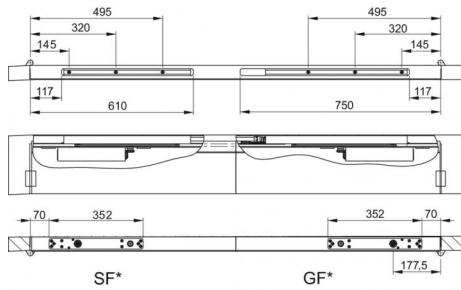
Capability characteristics Concealed door closer with Cam-Motion® technology and guide rail with integrated mechanical coordinator for double leaf doors

- Concealed guide rail with integrated mechanical door coordinator based on wedge system
- Closing speed and latching speed adjustable from top via regulating valves
- Built-in backcheck
- Thermodynamic valves for consistent performance
- Versions with 4 mm and 8 mm spindle extensions
- Large range of applications
- Standard colours: silver EV1
- Customised finishes available on request

Technical data	
Opening angle	Up to 120°
Weight	2.0 kg
Height	30 mm
Depth	26 mm
Length	Depending on overall door width
Fire and smoke protection	Yes
Certified in compliance with	EN 1158
CE marking for building products	Yes

view construction

Installation dimensions



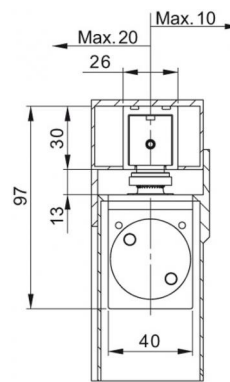
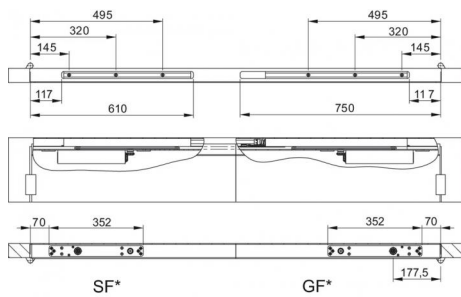
Right handed door shown in diagram

Left handed door is the reverse

SF* = Inactive leaf

GF* = Active leaf

Installation dimensions with 4 mm axis extension



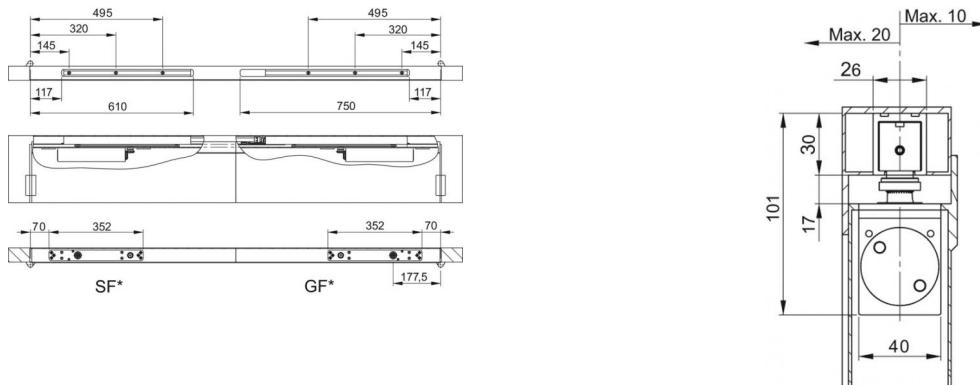
Right handed door shown in diagram

Left handed door is the reverse

SF* = Inactive leaf

GF* = Active leaf

Installation dimensions with 8 mm axis extension



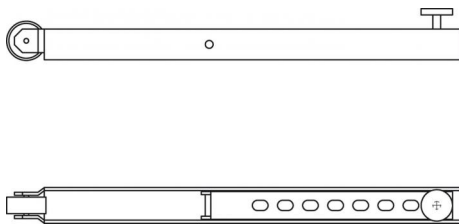
Right handed door shown in diagram

Left handed door is the reverse

SF* = Inactive leaf

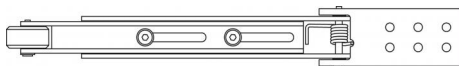
GF* = Active leaf

Carry bar A101

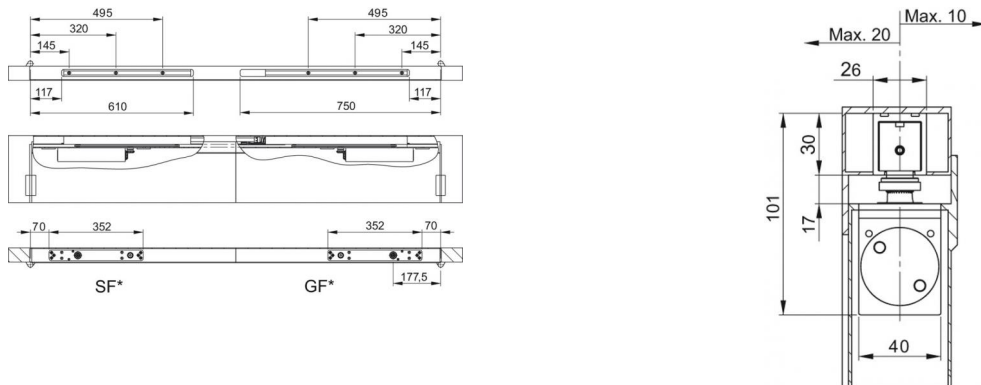


Enables the correct opening sequence of double doors, installed to door leaf on non-hinge side

Carry bar A102



Enables the correct opening sequence of double doors, installed to door leaf on non-hinge side

Mechanical hold-open device A114

Mechanical hold-open device for doors which need to be secured in the open positions.

Hold-open angle adjustable from ca. 70°-120°.

Not approved for use on fire and smoke protection doors.

Smoke protection detector A177 (optical)

Operating voltage 15-30 V DC

Max. current 30 mA