

Installation Instructions

D001102029



CE	Abloy Oy PO Box 108 80101 Joensuu Finland			20
DC175	EN 1154:1996/A1:2002/AC:2006 1121-CPR-AD5474	3	8	4
		3	8	4
		1	1	3
Dangerous substances: None				

B	
EN3	≤ 950mm
EN4	≤ 1100mm

DIN L1/R1

Max. 165° EN3
Max. 157° EN4

DIN L2/R2

Max. 165° EN3
Max. 157° EN4

DIN L3/R3

Max. 180° EN3
Max. 120° EN4

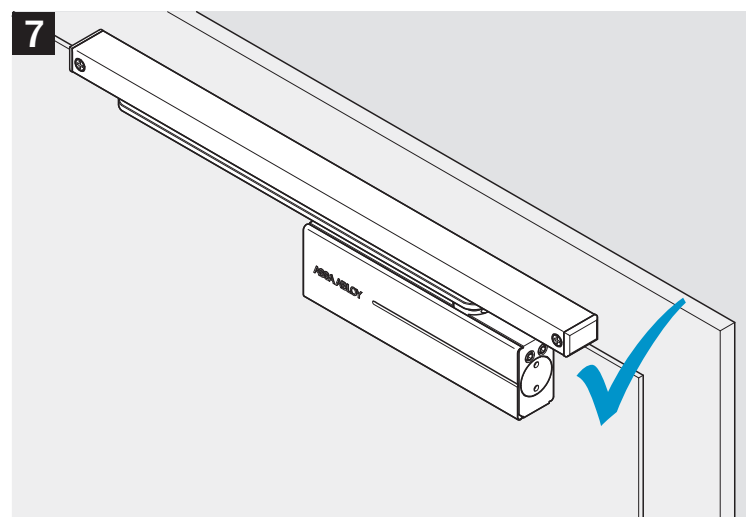
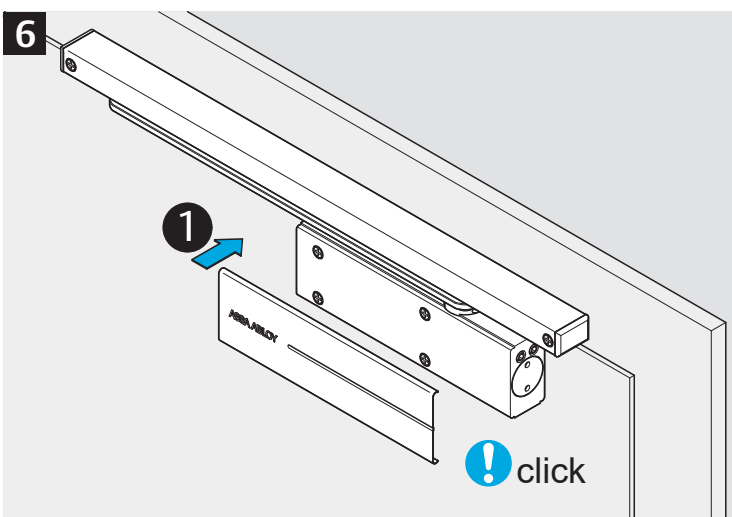
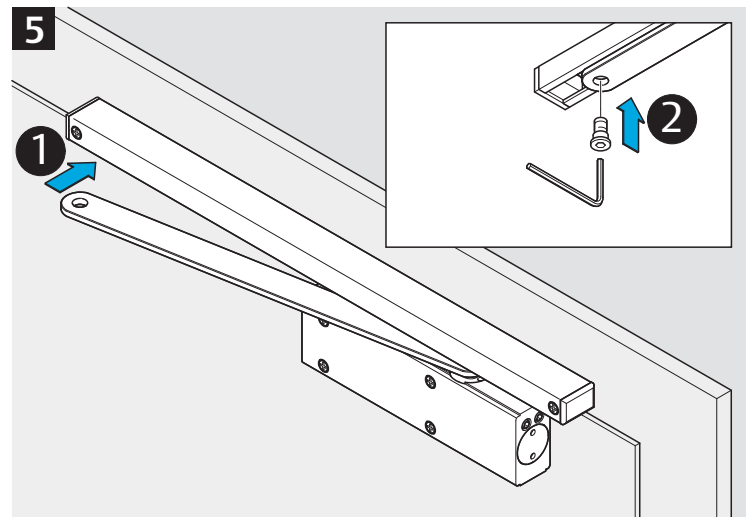
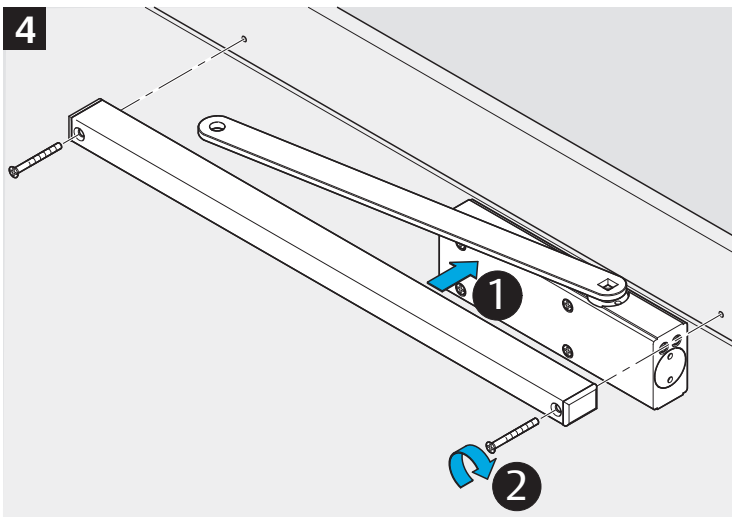
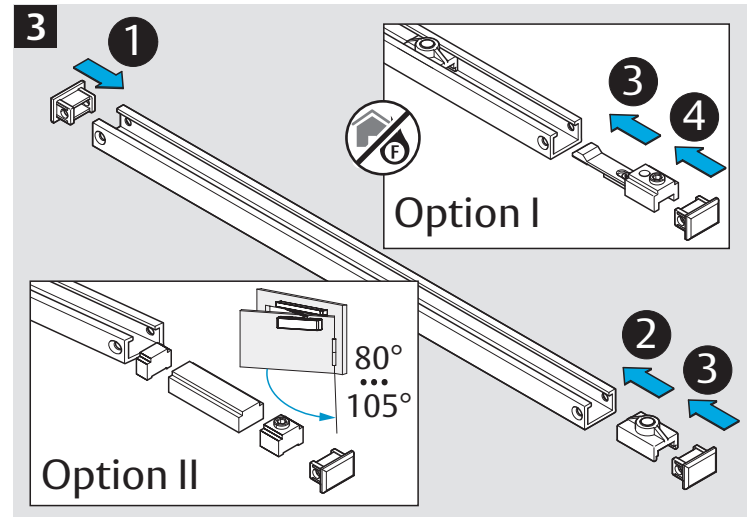
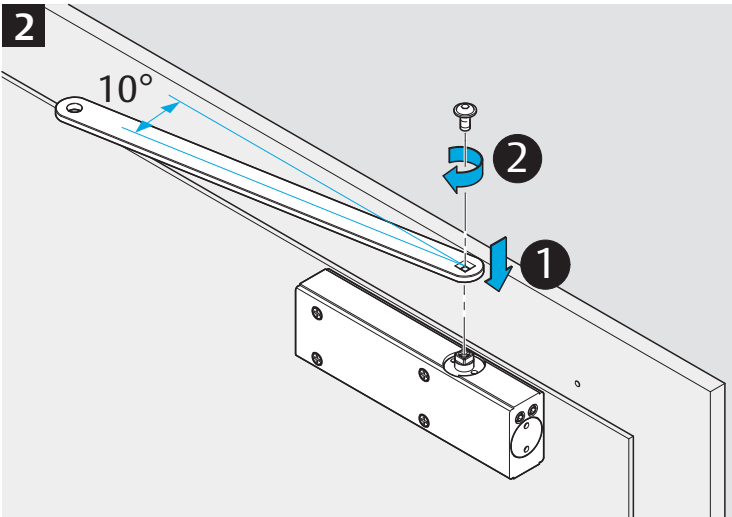
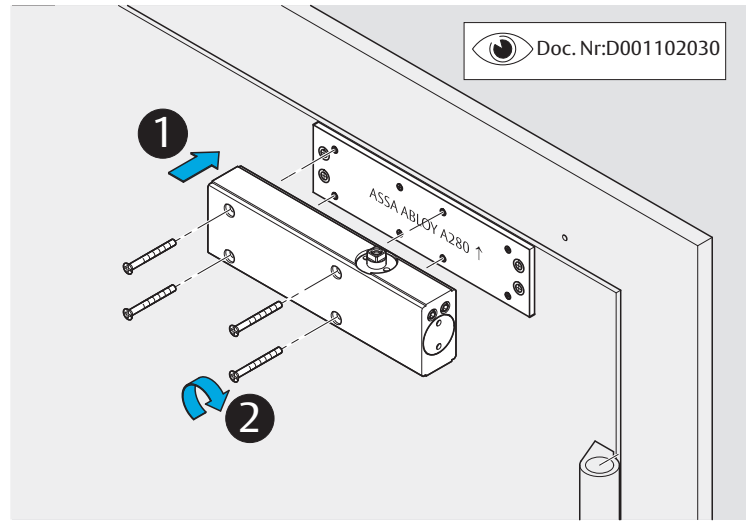
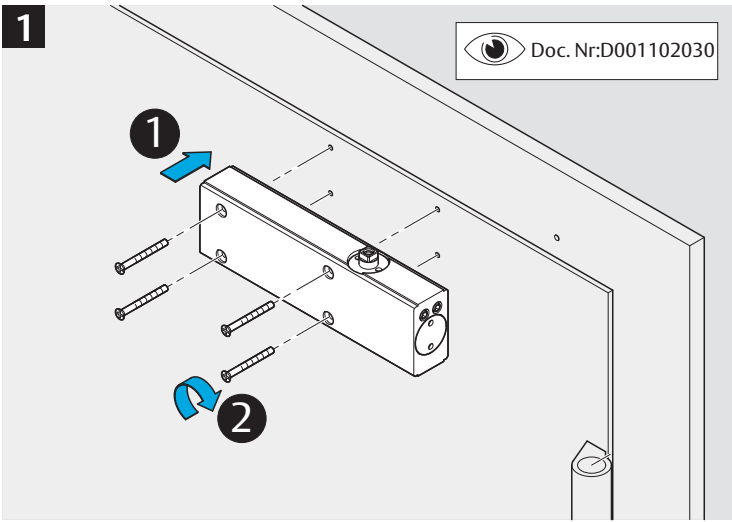
DIN L4/R4

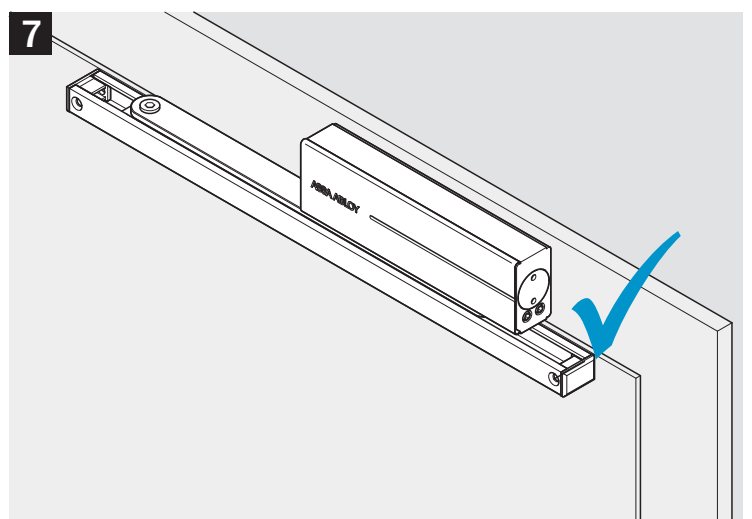
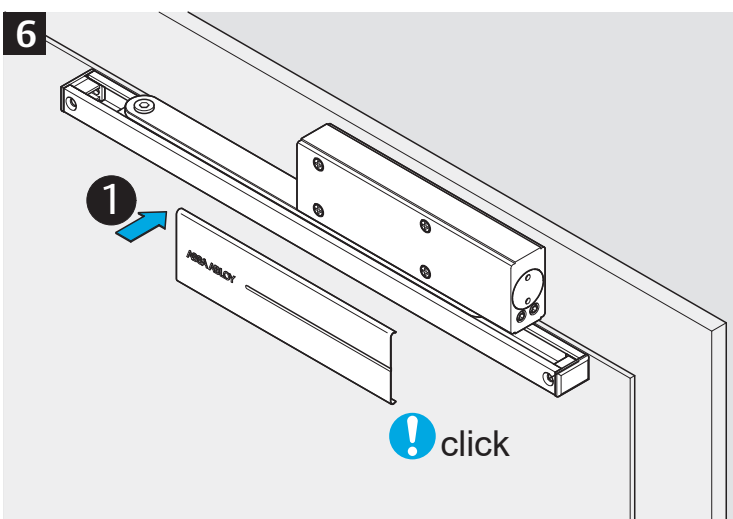
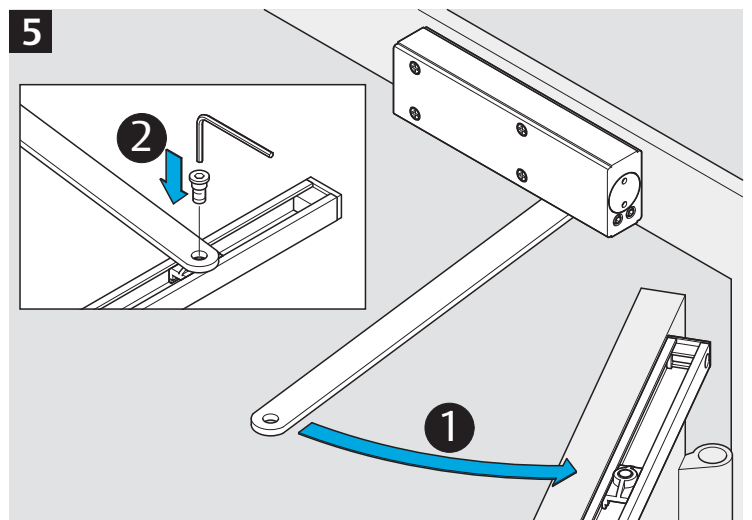
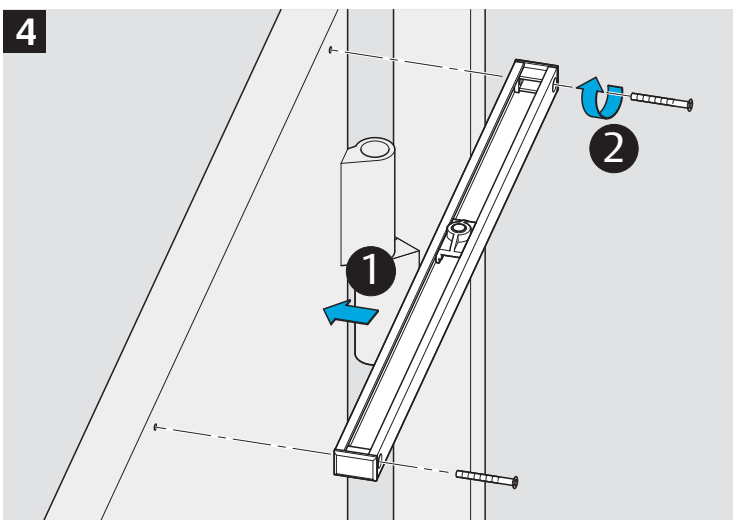
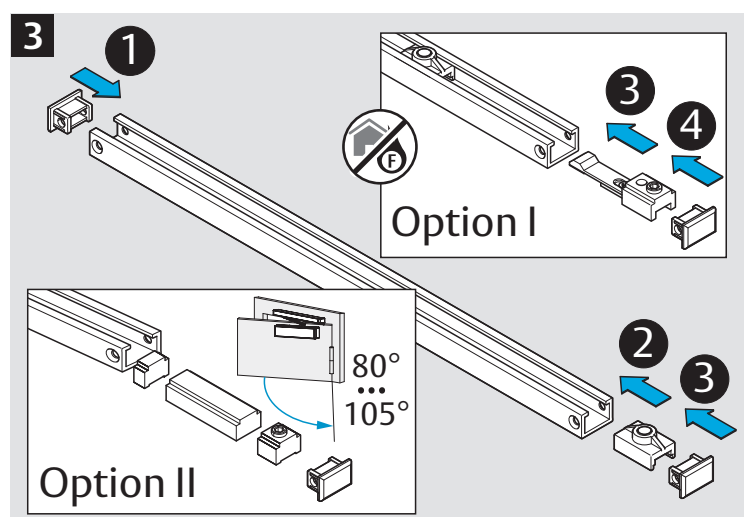
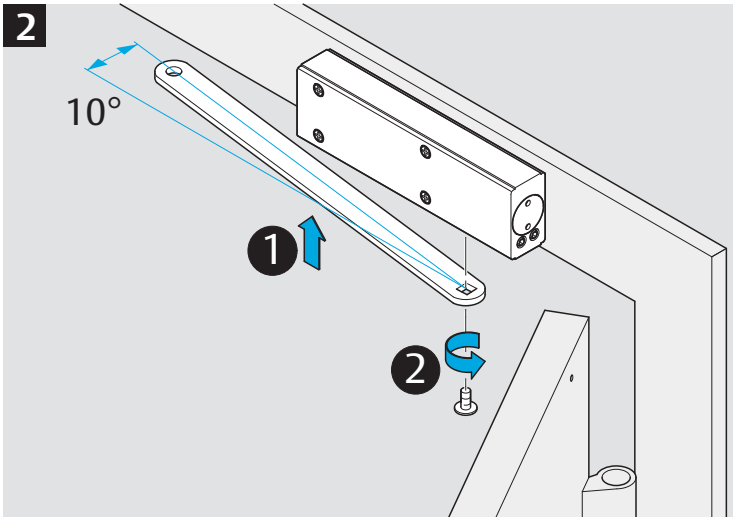
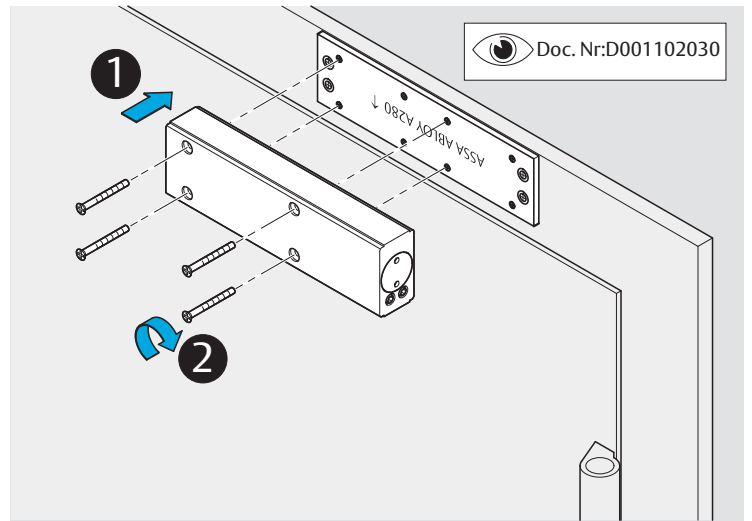
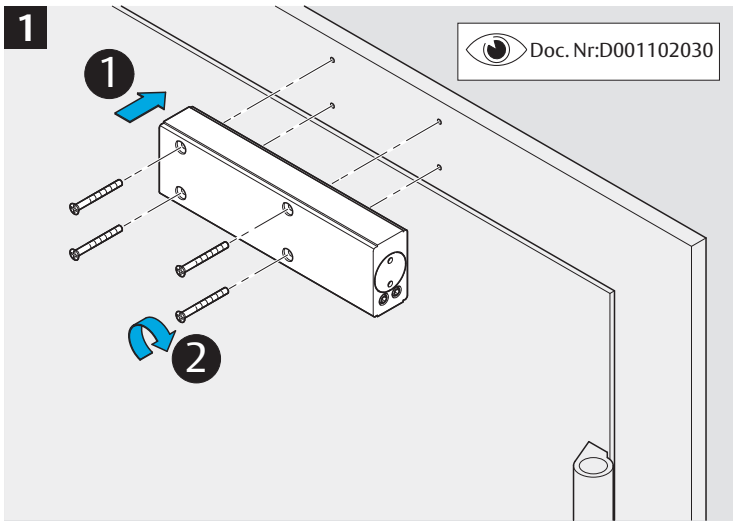
Max. 117° EN3
Max. 93° EN4

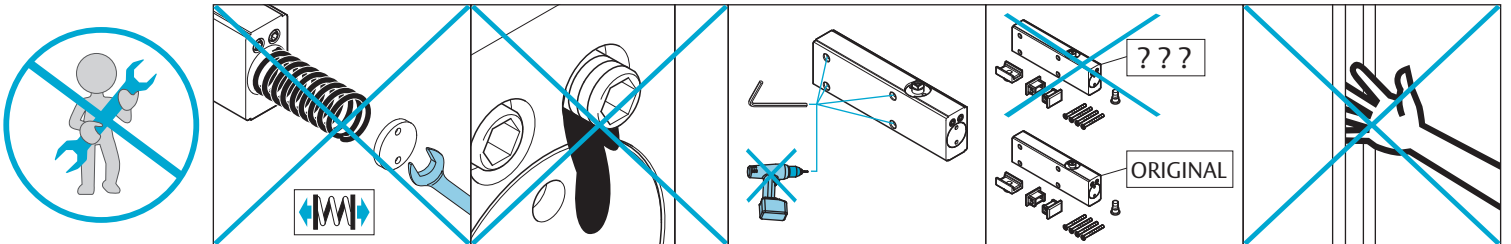
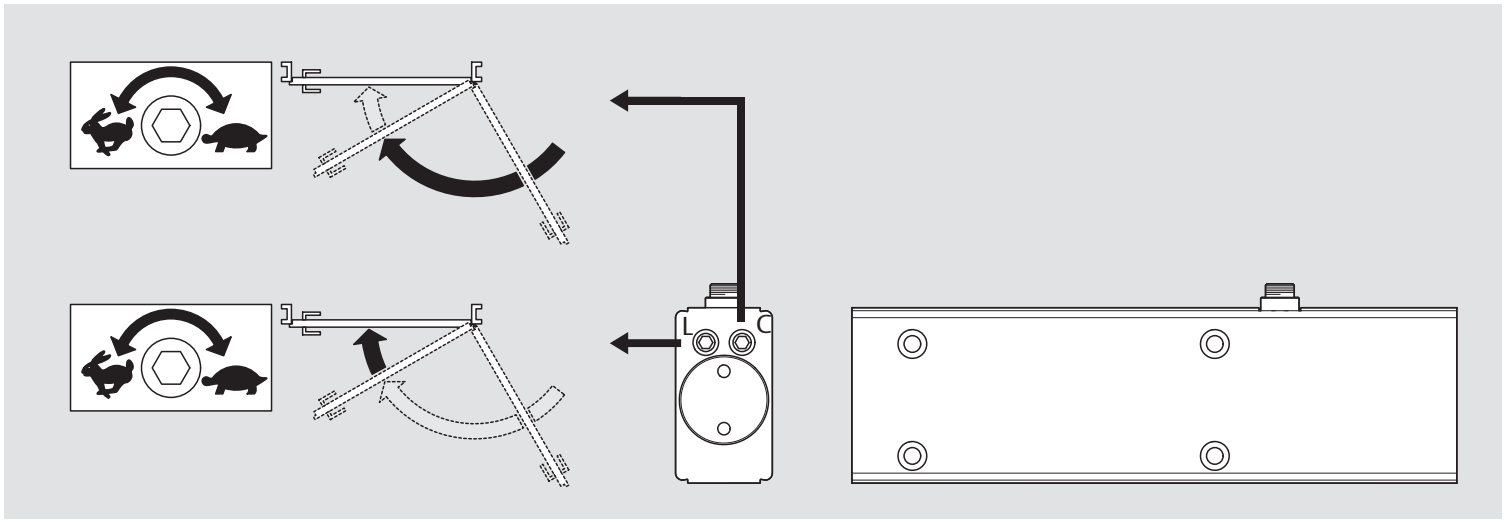
Option
DCA280

DCA179 DCA178

1x, 1x, 1x, 1x, 2x, 1x, 2x, 2x, 1x, 4x, 4x, 1x, 1x







ASSA ABLOY

Abloy Oy
 P.O.Box 108
 80101 Joensuu
 FINLAND
 Tel.: +358-20 599 2501
 Fax: +358-20 599 2209
 www.assaabloy.com
 www.abloy.com/dop